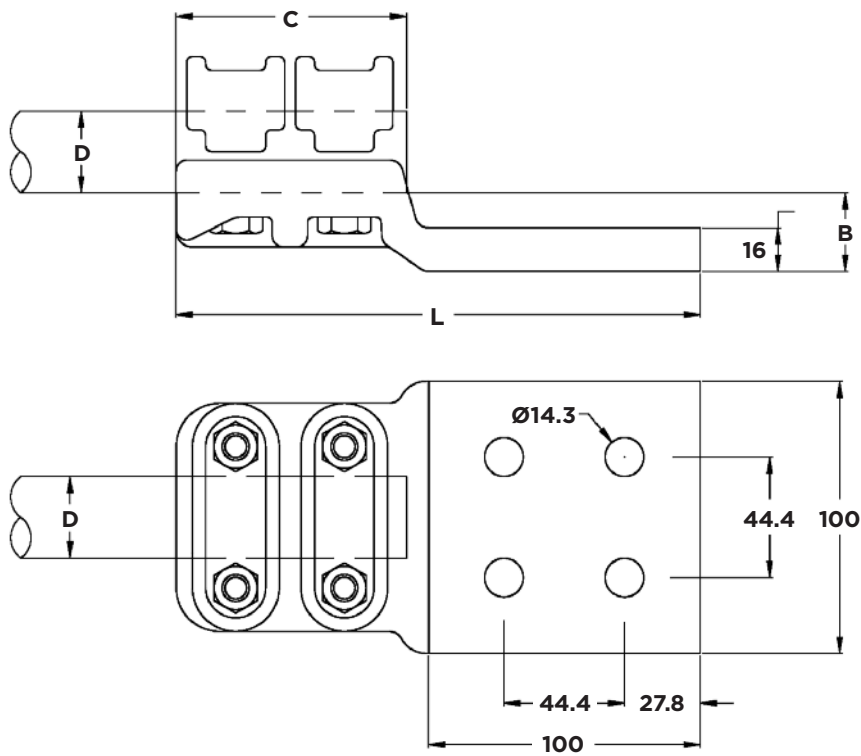


High Voltage Connectors for Outdoor Terminations

Raychem
from TE Connectivity

High Voltage Connectors for Outdoor Terminations

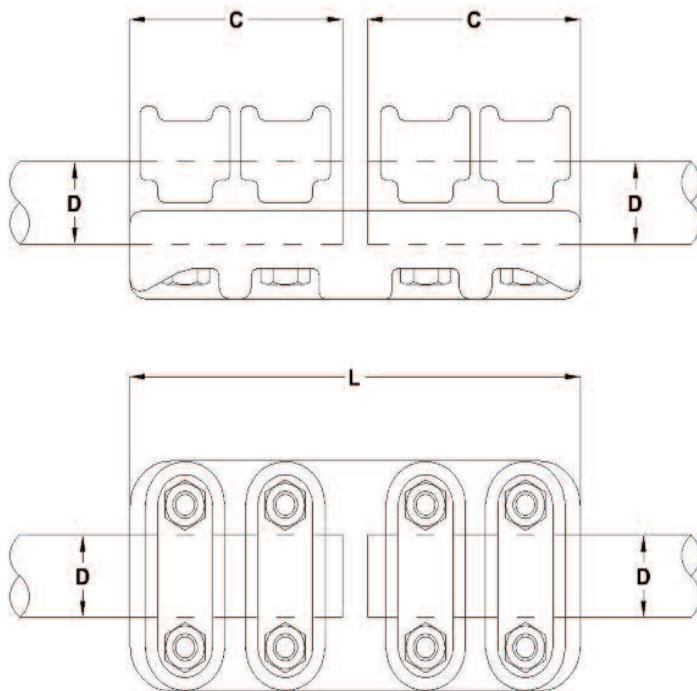
Terminal PAD (NEMA)



Description	D	B	C	L	RPN
CD 82 30 100 C290	26 - 31	29	85	193	707021-1
CD 82 40 100 C290	36 - 41	32	92	200	707127-1
CD 82 50 100 C290	46 - 51	25	94	207	718671-1
CD 82 60 100 C290	56 - 61	51	94	211	1229369-1

Dimensions in mm

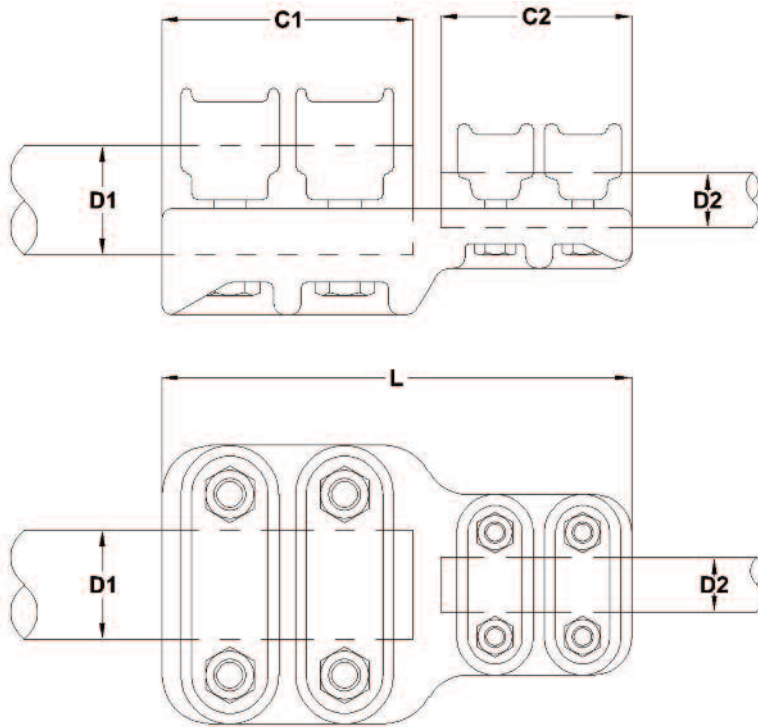
Straight Rod



Description	D	C	L	RPN
RD 82 30	26 - 31	85	180	7066841
RD 82 40	36 - 41	92	195	706685-1
RD 82 50	46 - 51	94	200	1510395-1
4TG82T60	56 - 61	92	200	707216-1

Dimensions in mm

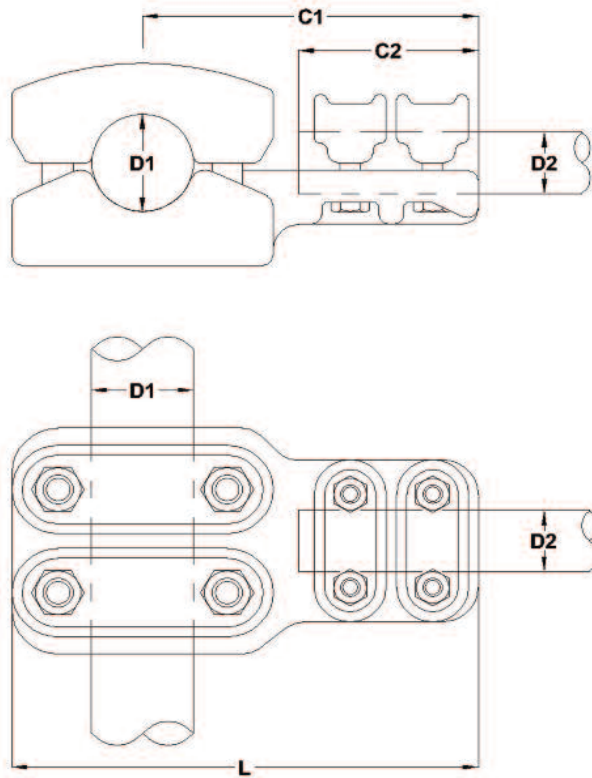
Straight Transition ROD



Description	D1	D2	C1	C2	L	RPN
RD 82 30 20	26 - 31	16 - 21	85	70	165	706948-1
RD 82 30 25	26 - 31	21 - 26	85	70	165	706636-1
RD 82 35 30	26 - 31	31 - 36	85	85	180	706949-1
RD 82 40 20	36 - 41	16 - 21	92	70	172	706700-1
RD 82 40 25	36 - 41	21 - 26	92	70	172	706635-1
RD 82 40 30	36 - 41	26 - 31	92	85	187	706655-1
RD 82 40 35	36 - 41	31 - 36	92	85	187	706663-1
RD 82 50 20	46 - 51	16 - 21	92	70	174	712016-1
RD 82 50 25	46 - 51	21 - 26	92	70	174	716341-1
RD 82 50 30	46 - 51	26 - 31	92	85	189	711000-1
RD 82 50 35	46 - 51	31 - 36	92	85	189	0711002-1
RD 82 50 40	46 - 51	36 - 41	92	92	196	711001-1
RD 82 60 20	56 - 61	16 - 21	94	70	176	1319990-1
RD 82 60 25	56 - 61	21 - 26	94	70	176	711003-1
RD 82 60 30	56 - 61	26 - 31	94	85	190	706745-1
RD 82 60 35	56 - 61	31 - 36	94	85	190	711004-1
RD 82 60 40	56 - 61	36 - 41	94	92	196	711005-1
RD 82 60 45	56 - 61	41 - 46	94	92	196	707390-1

Dimensions in mm

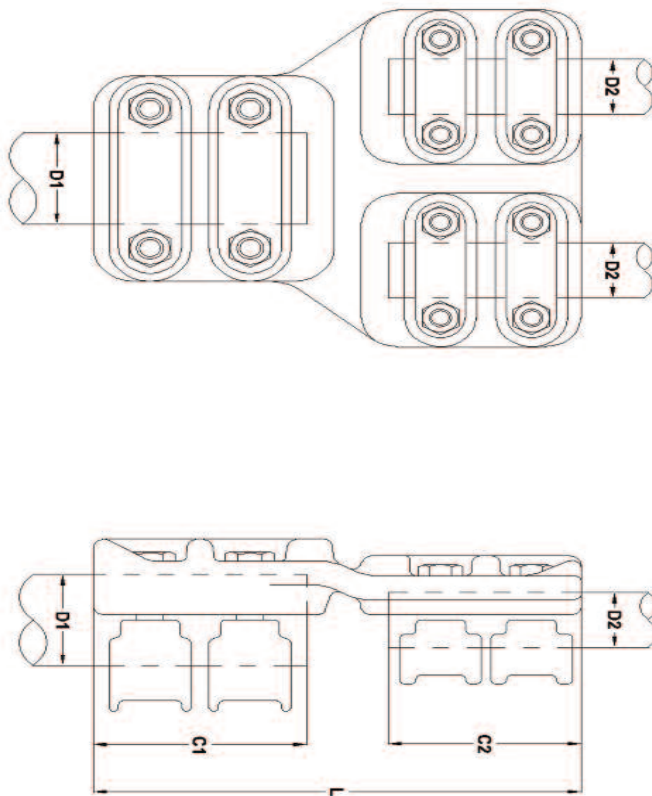
T - ROD



Description	D1	D2	C1	C2	L	RPN
T 82 30 20	26 - 31	16 - 21	124	70	166	716192-1
T 82 30 25	26 - 31	21 - 26	124	70	166	706686-1
T 82 30	26 - 31	26 - 31	140	85	182	706627-1
T 82 30 35	26 - 31	31 - 36	140	85	182	706683-1
T 82 30 40	26 - 31	36 - 41	143	92	195	706667-1
T 82 40 20	36 - 41	16 - 21	131	70	182	716198-1
T 82 40 25	36 - 41	21 - 26	131	70	182	716106-1
T 82 40 30	36 - 41	26 - 31	146	85	197	706624-1
T 82 40 35	36 - 41	31 - 36	146	85	207	706623-1
T 82 40	36 - 41	36 - 41	151	92	207	711001-1
T 82 50 20	46 - 51	16 - 21	135	70	191	716203-1
T 82 50 25	46 - 51	21 - 26	135	70	191	718670-1
T 82 50 30	46 - 51	26 - 31	151	85	207	716342-1
T 82 50 35	46 - 51	31 - 36	151	85	207	716204-1
T 82 50 40	46 - 51	36 - 41	158	92	214	706664-1
T 82 60 20	56 - 61	16 - 21	143	70	176	706778-1
T 82 60 25	56 - 61	21 - 26	143	70	176	716206-1
T 82 60 30	56 - 61	26 - 31	153	85	190	706633-1
T 82 60 35	56 - 61	31 - 36	153	85	190	716207-1
T 82 60 40	56 - 61	36 - 41	160	92	196	716208-1
T 82 60 45	56 - 61	41 - 46	160	92	196	716209-1

Dimensions in mm

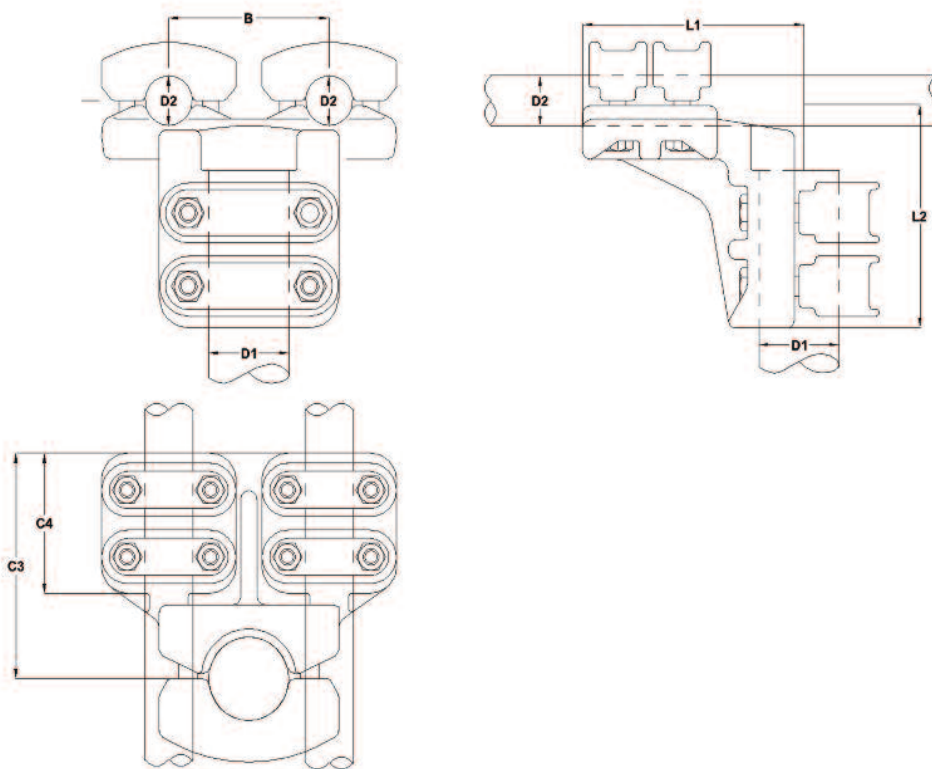
Twin Straight ROD



Description	D1	D2	C1	C2	L	RPN
RD 82 F 30 E100 50	46 - 51	36 - 41	94	85	214	789025-1
RD 82 F 35 E100 50	46 - 51	31 - 36	94	85	214	717157-1
RD 82 F 30 E100 60	56 - 61	26 - 31	94	85	213	1806692-1
RD 82 F 35 E100 60	56 - 61	31 - 36	94	85	213	792699-1
RD 82 F 40 E100 60	56 - 61	36 - 41	94	92	210	718662-1
RD 82 F 45 E100 60	56 - 61	41 - 46	94	92	210	792296-1

Dimensions in mm

Twin T ROD



Description	D1	D2	B	C3	C4	L1	L2	RPN
T 82 F 30 E100 50	46 - 51	26 - 31	100	134	84	135	136	793423-1
T 82 F 35 E100 50	46 - 51	31 - 36	100	134	84	135	136	0793337-1
T 82 F 40 E100 50	46 - 51	36 - 41	105	145	92	145	145	1306071-1
T 82 F 30 E100 60	56 - 61	26 - 31	100	131	94	140	131	1830731-1
T 82 F 35 E100 60	56 - 61	31 - 36	100	131	94	140	131	792694-1
T 82 F 40 E105 60	56 - 61	36 - 41	105	145	92	140	131	718666-1

Dimensions in mm

About TE Connectivity

TE Connectivity is a global, \$14 billion company that designs and manufactures approximately 500,000 products that connect and protect the flow of power and data inside the products that touch every aspect of our lives. Our nearly 100,000 employees partner with customers in virtually every industry – from consumer electronics, energy and healthcare, to automotive, aerospace and communication networks – enabling smarter, faster, better technologies to connect products to possibilities.

More information on TE Connectivity can be found at: www.te.com

While TE Connectivity (TE) has made every reasonable effort to ensure the accuracy of the information in this catalog, TE does not guarantee that it is error-free, nor does TE make any other representation, warranty or guarantee that the information is accurate, correct, reliable or current. TE reserves the right to make any adjustments to the information contained herein at any time without notice. TE expressly disclaims all implied warranties regarding the information contained herein, including, but not limited to, any implied warranties of merchantability or fitness for a particular purpose. The dimensions in this catalog are for reference purposes only and are subject to change without notice. Specifications are subject to change without notice. Consult TE for the latest dimensions and design specifications. Raychem, TE Connectivity and TE Connectivity (logo) are trademarks. Other logos, product and company names mentioned herein may be trademarks of their respective owners.

TE Energy - innovative and economical solutions for the electrical power industry: cable accessories, connectors & fittings, insulators & insulation, surge arresters, switching equipment, street lighting, power measurement and control.

Tyco Electronics Raychem GmbH
a TE Connectivity Ltd. Company
TE Energy
Finsinger Feld 1
85521 Ottobrunn/Munich, Germany

Phone: +49-89-6089-0
Fax: +49-89-6096345

energy.te.com

