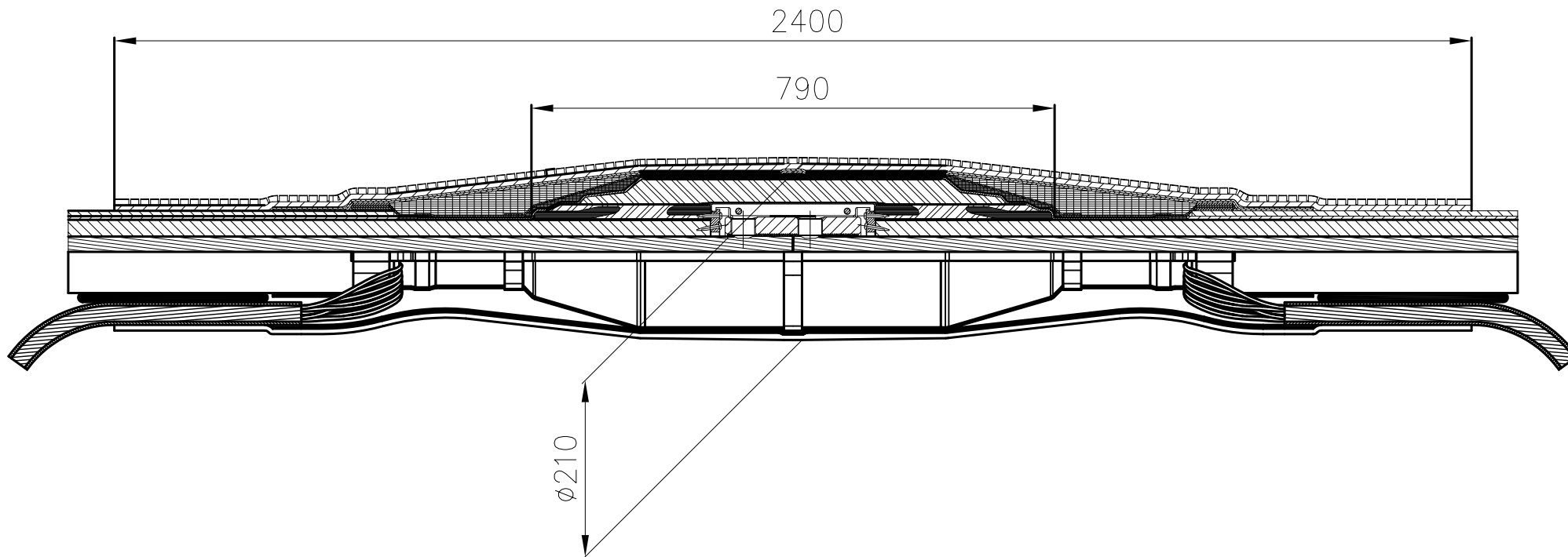


Alle Rechte ausdrücklich vorbehalten. Vervielfältigungen oder
Mittlungen an Dritte, gleichgültig in welcher Form, sind ohne
schriftliche Genehmigung von Tyco Electronics nicht gestattet.



Copyright: All rights strictly reserved.
Reproduction or issue to third parties without the written
consent of Tyco Electronics are not permitted.

Technical Data

Highest Voltage U_m	kV	145
Lightning Impulse Voltage	kV	650
Length	mm	2400
Diameter	mm	210
Weight approx.	kg	55
Max. Conductor Size Cu/Al approx.	mm ²	1200
Outer Diameter Cable Insulation	mm	≤84
Outer Diameter Cable Oversheath	mm	≤120

tyco
Electronics
Energy Division
Raychem

SHIELD-BREAK JOINT
145 kV
FOR XLPE CABLES
EHVS-145L-SB
Offer drawing

Tyco drawing no.:
EPD-204-587-00-A4-0

checked	21.04.05 Stancu
approved	21.04.05 Kehl
index	0