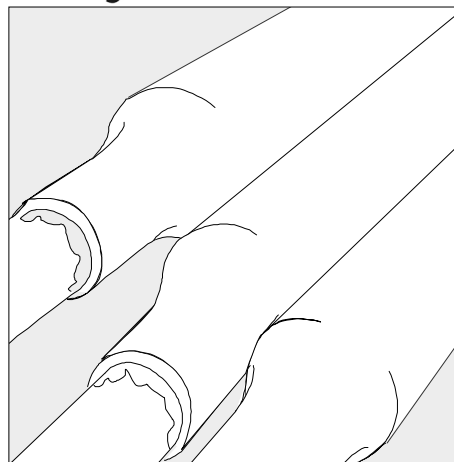


Energy Division



**Installation Instruction  
EPP-0350-10/07**

**Raychem  
Joints Additional  
Instruction for  
Cross Bonding/Cable  
Shield Break  
for Polymeric Insulated  
Cables  
52/72 kV with Wire  
Shield**

**Type EHVS**

**Tyco Electronics Raychem GmbH**  
**Energy Division**  
Finsinger Feld 1  
85521 Ottobrunn/Germany  
0049-89-6089-0 tel  
0049-89-6089-345 fax  
<http://energy.tycoelectronics.com>

## **Before Starting**

**Check to ensure that the kit you are going to use fits the cable.**

**Refer to the kit label and the title of the installation instruction.**

**Components or working steps may have been improved since you last installed this product.**

**Carefully read and follow the steps in the installation instruction.**

## **General Instructions**

**Use a propane (preferred) or butane gas torch.**

**Ensure the torch is always used in a well-ventilated environment.**

**Adjust the torch to obtain a soft blue flame with a yellow tip.**

**Pencil-like blue flames should be avoided.**

**Keep the torch aimed in the shrink direction to preheat the material.**

**Keep the flame moving continuously to avoid scorching the material.**

**Clean and degrease all parts that will come into contact with adhesive.**

**If a solvent is used follow the manufacturer's handling instructions.**

**Tubing should be cut smoothly with a sharp knife leaving no jagged edges.**

**Start shrinking the tubing at the position recommended in the instruction.**

**Ensure that the tubing is shrunk smoothly all around before continuing along the cable.**

**Tubing should be smooth and wrinkle free with inner components clearly defined.**

The Information contained in these installation instructions is for use only by installers trained to make electrical power installations and is intended to describe the correct method of installation for this product. However, Tyco Electronics has no control over the field conditions which influence product installation. It is the user's responsibility to determine the suitability of the installation method in the user's field conditions. Tyco Electronics' only obligations are those in Tyco Electronics' standard Conditions of Sale for this product and in no case will Tyco Electronics be liable for any other incidental, indirect or consequential damages arising from the use or misuse of the products.  
Raychem, TE Logo and Tyco Electronics are trade marks.

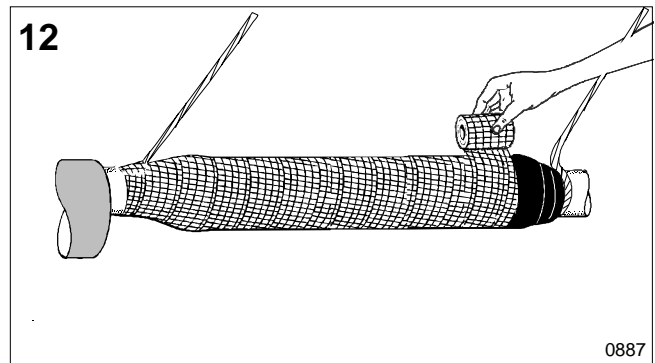
## General instructions

This is an additional installation instruction for use in conjunction with Raychem Installation Instruction EPP 0346 "Joints for Polymeric Insulated Cables with Wire Shield and Wire Shield/Laminated Foil 72 kV" or EPP-0884 "Joints for Polymeric Insulated Cables with Wire Shield and Wire Shield/Laminated Foil 52 kV"

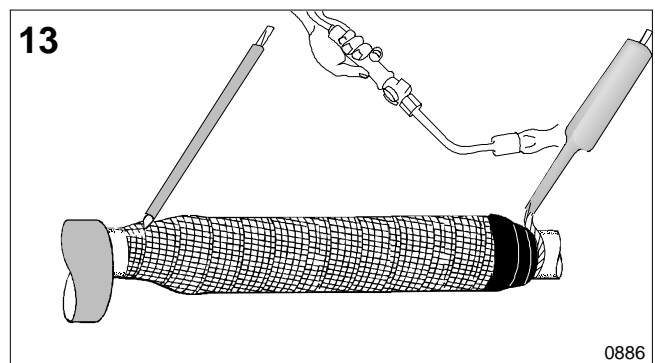
Follow cable preparation and installation steps 1-11 as given in the installation instruction EPP 0346/EPP-0884.

### Completion of Joint

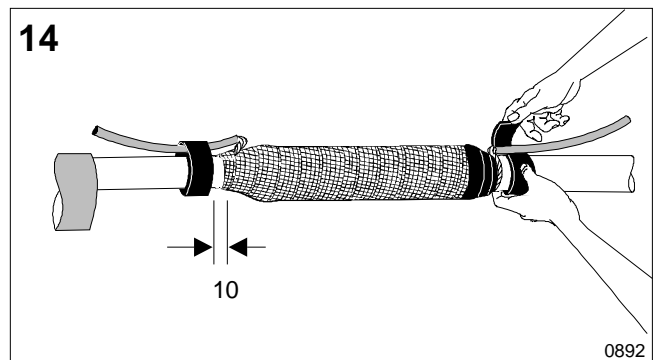
Twist the shielding wires together to form an earth lead. Connect the Cu-braid to the earth lead by wrapping it around the shielding wires close to the oversheath on one cable side. Wrap the Cu-braid with a 50% overlap around the joint until it is level with the end of the screened tubing (red/black) and secure it into place. **Do not connect the braid to the cable screen on this end!**



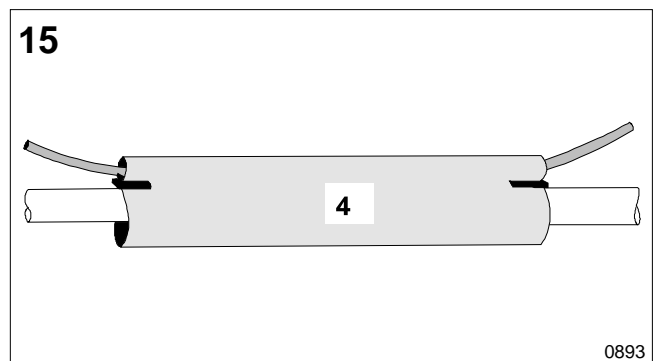
Slide the insulating tubing (black) over the earth leads. Push the tubing right up against the oversheath cut. Shrink down the tubing starting at the oversheath cut working towards the wire ends.



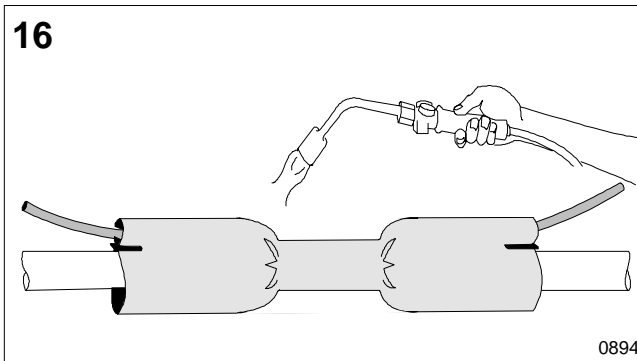
Lift the earth lead and wrap one layer of mastic (black) around the oversheath 10 mm from the oversheath cut. Bend the shielding wires back onto the oversheath and wrap a second layer of mastic around oversheath and shielding wires.



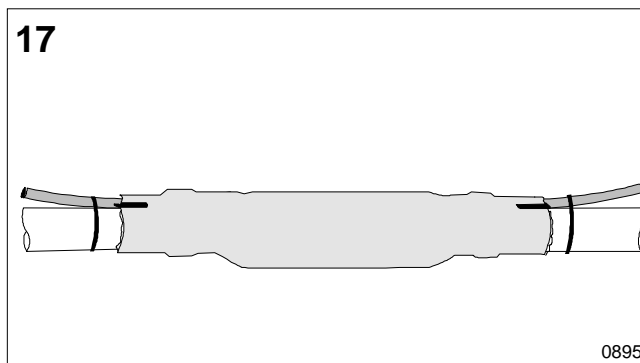
Remove the protection tape (if any) from the cable oversheath. Abrade the oversheath ends for a length of 150 mm. Position the outer sleeve (4) centrally over the joint. Insert the branch-off clips between the earth lead and the main cable apportioning the outer sleeve according to the diameters of the cables.



Shrink down the outer sleeve starting in the middle and continuing towards the ends. Heat until sealant is squeezed out all around the tubing ends. Continue with step 17 while joint is still warm.

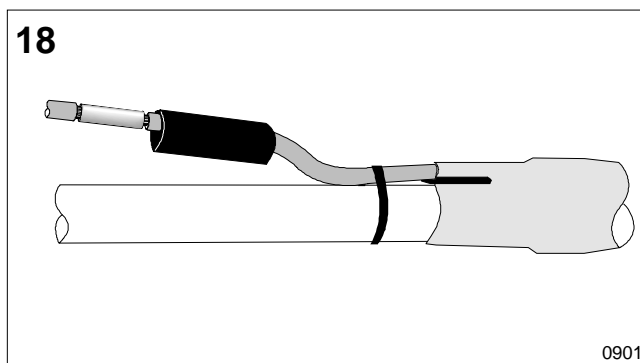


Tie the earth lead to the oversheath with a tie wrap approximately 100 mm from the end of the outer sleeve.

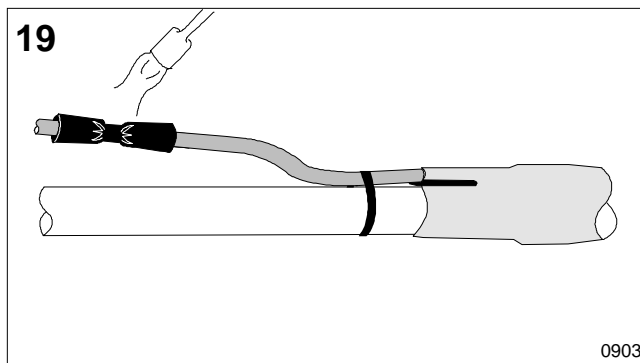


Slide the ferrule insulating tubing (black) over the earth lead. Connect the bonding leads to the link box cable by crimping\* or any other equivalent method (not included in the kit content).

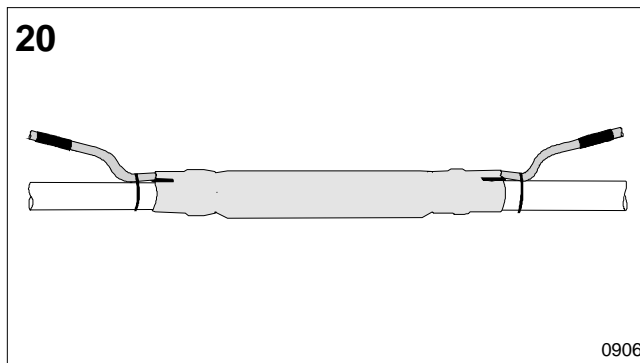
\* Use blocked connectors only.



Position the insulating tubing centrally over the connector and shrink down starting in the centre working towards the ends.



Joint completed.  
Allow to cool before applying any mechanical strain.



**Please dispose of all waste according to environmental regulations.**

