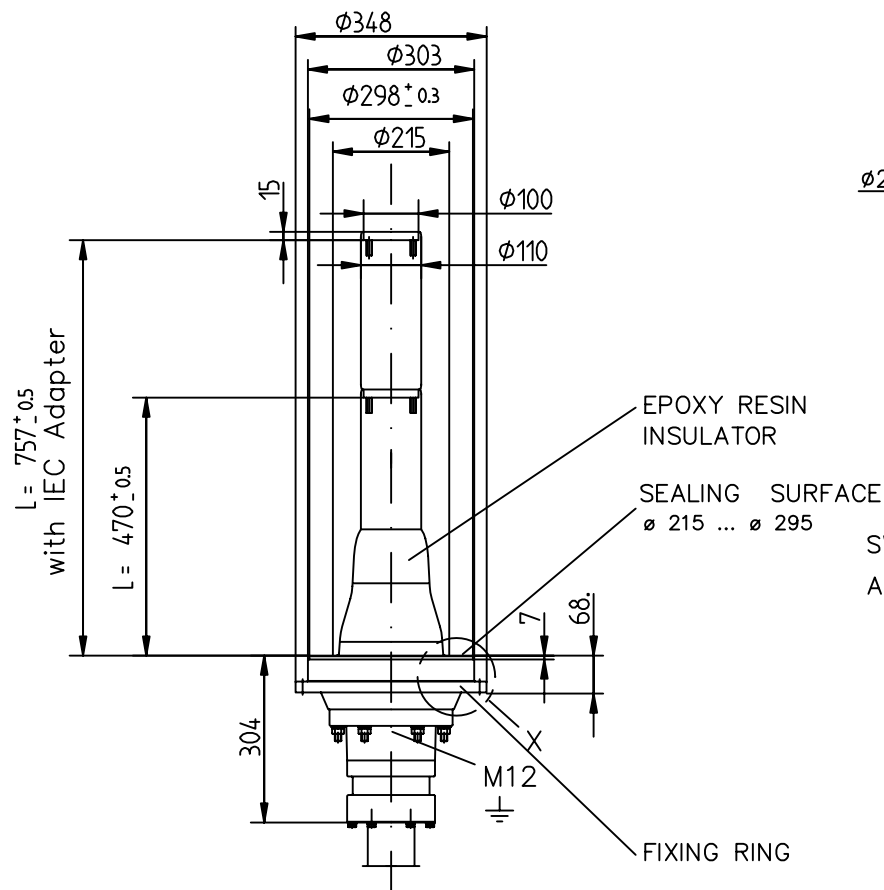
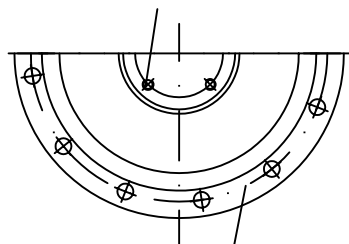


Alle Rechte ausdrücklich vorbehalten. Vertriebfähigkeiten oder Mitteilungen an Dritte, gleichgültig in welcher Form, sind ohne schriftliche Genehmigung von Tyco Electronics nicht gestattet.

Copyright: All rights strictly reserved. Reproduction or reuse to third parties without the written consent of Tyco Electronics are not permitted.

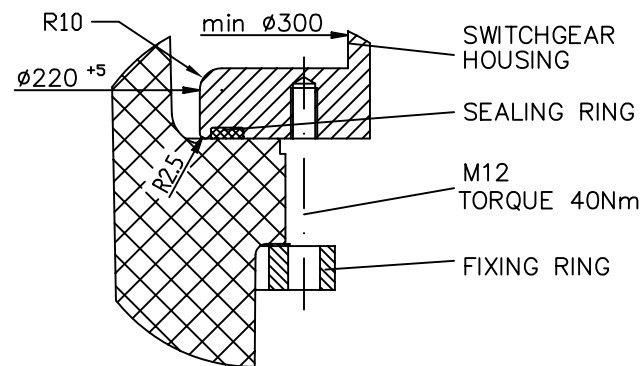


Top connection (acc. to IEC 60859)
4 x M10x25 bores on $\varnothing 80 \pm 0.3$



Base flange (acc. to IEC 60859)
12x $\varnothing 14,5$ bores on $\varnothing 320 \pm 0.5$

DETAIL X
(EXAMPLE OF FIXING)



SWITCHGEAR HOUSING, SEALING RING AND SCREWS M12 ARE NOT INCLUDED IN THE SCOPE OF SUPPLY

Technical Data

Highest Voltage U_m	kV	145
Lightning Impulse Voltage	kV	650
Length (with IEC Adapter)	mm	470 (757)
Weight approx. (with IEC Adapter)	kg	38 (42)
Operating Pressure SF ₆	bar	2...6
Max. Conductor Size Cu/Al approx. (optional)	mm ²	800 (1200)
Outer Diameter Cable Insulation	mm	≤74
Outer Diameter Cable Oversheath	mm	≤99

tyco
Electronics
Energy Division
Raychem

145 kV Dry Type
SWITCHGEAR TERMINATION
FOR XLPE – CABLE

Tyco drawing no.:
EPD-204-573-00-00-4/a

PHVS-145
Offer drawing

checked	17.11.03 Stancu
approved	17.11.03 Kehl
index	Q